

40 Series

Model 40-40-02 Applicator Valve Actuator

Speed precision.

vanSCO's 40-40-02 Applicator Valve Actuator offers one of the fastest, most accurate adhesive pattern placements in the industry. Its simple, compact design means less maintenance and a perfect fit to the VanSCO® 35-51 series valve applicator. The 40-40-02 is an easy solution to optimize the speed and efficiency of your production line.

vanSCO's 40-40-02 Applicator Valve Actuator features:

Fast Response

A single low mass moving part allows the fastest response times in the industry.

Accurate Patterns

Fastest, most accurate adhesive pattern placement in the industry.

Advanced Design

The actuator incorporates voice coil technology, operation requires no springs.

Less Maintenance

No adhesive contact with any moving part of the actuator.

Durability

Aluminum, brass, nylon, and stainless-steel construction.

Compact Design

Thin profile allows the actuator to operate in areas of limited space. Stackable for multiple pattern lines (can be stacked as close as 1/2" centers).

Mounting Versatility

Multiple fluid inlets on the front or side feed maximize versatility.

Optimal Operation

Designed to operate with the 35-51-XX series applicator valves, this actuator completes efforts to optimize system operation.



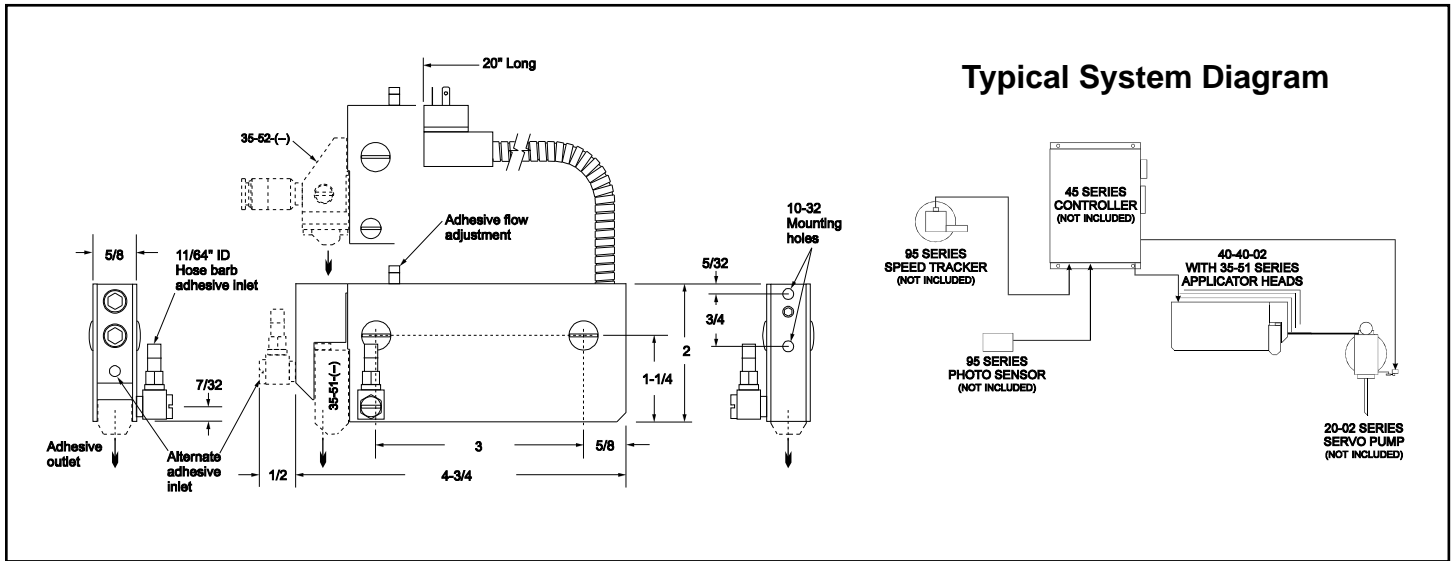
How to order:

Part Number	Description
40-40-02	High speed actuator

Recommended Parts:


35-51-xx	Series Valve Applicators
35-52-xx	Series Valve Applicators
95-02-19	High speed driver board (PS2)
78-00-86	Controller cable kit
90-00-69	1/4" OD tube

40-40-02 System Layout



Technical Characteristics

40-40-02 Specifications	
Input voltage:	24 VDC
Current:	0.3 amp
Duty cycle:	Continuous
Response time:	2.5 milliseconds (open) 2.5 milliseconds (close) Push/pull coil
Endurance cycle life:	500 million
Mounting bolts (2):	1/4-20 x 1-1/4"



For more information visit www.vansco.com or contact us direct.

vanSCO

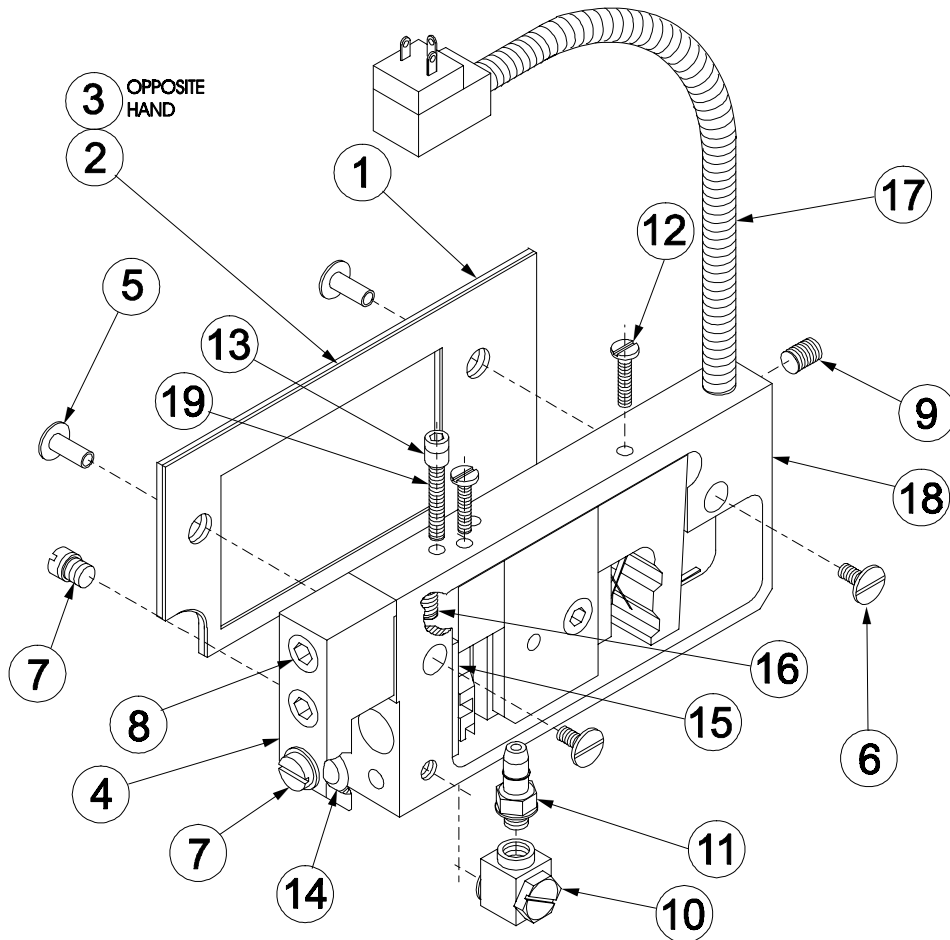
Gluing Systems
A Valco Cincinnati Company

VanSco Products
2652 Lashbrook Avenue, South El Monte, CA 91733
Tel: 626.448.7611 / Fax: 626.448.0221
sales@vansco.com
www.vansco.com

VALCO
CINCINNATI

40-40-02 HIGH SPEED ACTUATOR

COMPONENT PARTS



ITEM	QTY	PART NO.	DESCRIPTION
1	2	90-40-58	Side Plate
2	1	90-40-60	RH Side Plate Gasket
3	1	90-40-59	LH Side Plate Gasket
4	1	90-40-57	Valve End Cover (Incl. Items 7; 14)
5			-Not Used-
6	2	90-07-70	1/4" x 1/2" Binding Screw
7	2	90-46-29	10-32 Plug with 90-46-28 Gasket
8	2	90-05-62	10-32 X 3/4" SHCS
9	1	90-03-19	10-32 X 1/4" Soc. Head Set Screw
10	1	90-02-05	10-32M X 10-32F Swivel Elbow

ITEM	QTY	PART NO.	DESCRIPTION
11	1	90-06-98	10-32 x 11/64 ID Hose Barb
12	2	90-06-88	4-40 X 5/8" Pan HD Screw
13	1	90-40-54	Collar
14	1	90-07-02	"O" Ring
15	1	90-40-53	Stop Plate
16	1	90-40-56	Stop Plate Return Spring
17	1	95-02-92	Lead Wire Ass'y
18	1	90-40-51	Valve Actuator Frame
19	1	90-06-88	4-40 X 5/8" Mach. Screw

Distributed By:

40 Series

Model 40-40-12 Applicator Valve Actuator

Precision made simple.

vanSeco's 40-40-12 Applicator Valve Actuator's compact design offers precise and accurate placement with less maintenance and versatile mobility. This valve is designed to operate the 35-51-XX applicator valve for the highest quality production. The 40-40-12 brings the industry a quick and easy solution to suit a number of gluing application needs.

vanSeco's 40-40-12 Applicator Valve Actuator features:

Fast Accuracy

Fast, accurate pattern placement at speeds in excess of 600 feet per minute.

Simplicity

This actuator utilizes a single acting, spring return solenoid assembly which requires no special control signal.

Low Maintenance

No adhesive contact with any moving part of the actuator.

Compact Design

Features a small, compact design with few moving parts, which allow for quick operation.

Durability

Aluminum, brass, nylon, and stainless-steel construction is used with few moving parts.

Flexibility

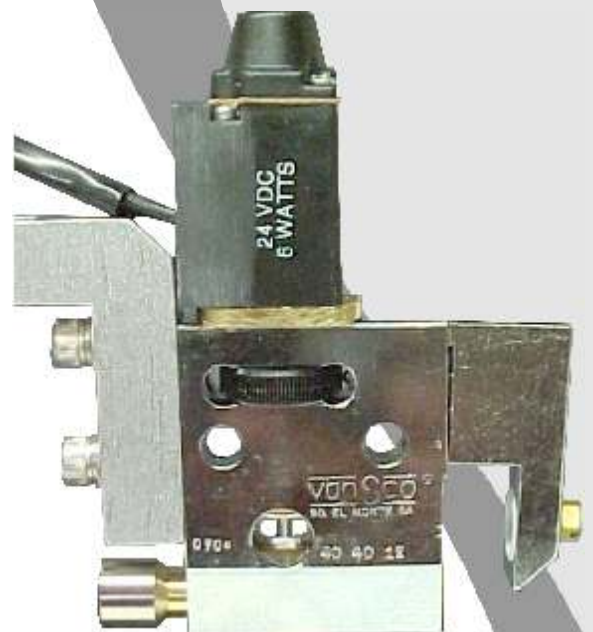
The actuator will operate correctly in any position, including vertically and upside down.

Multiple Fluid Inlets

Front or side feed inlets provide mounting versatility.

Voltage Selection

24 VDC is standard, 12 VDC and 115 VAC are available in special order.



How to order:

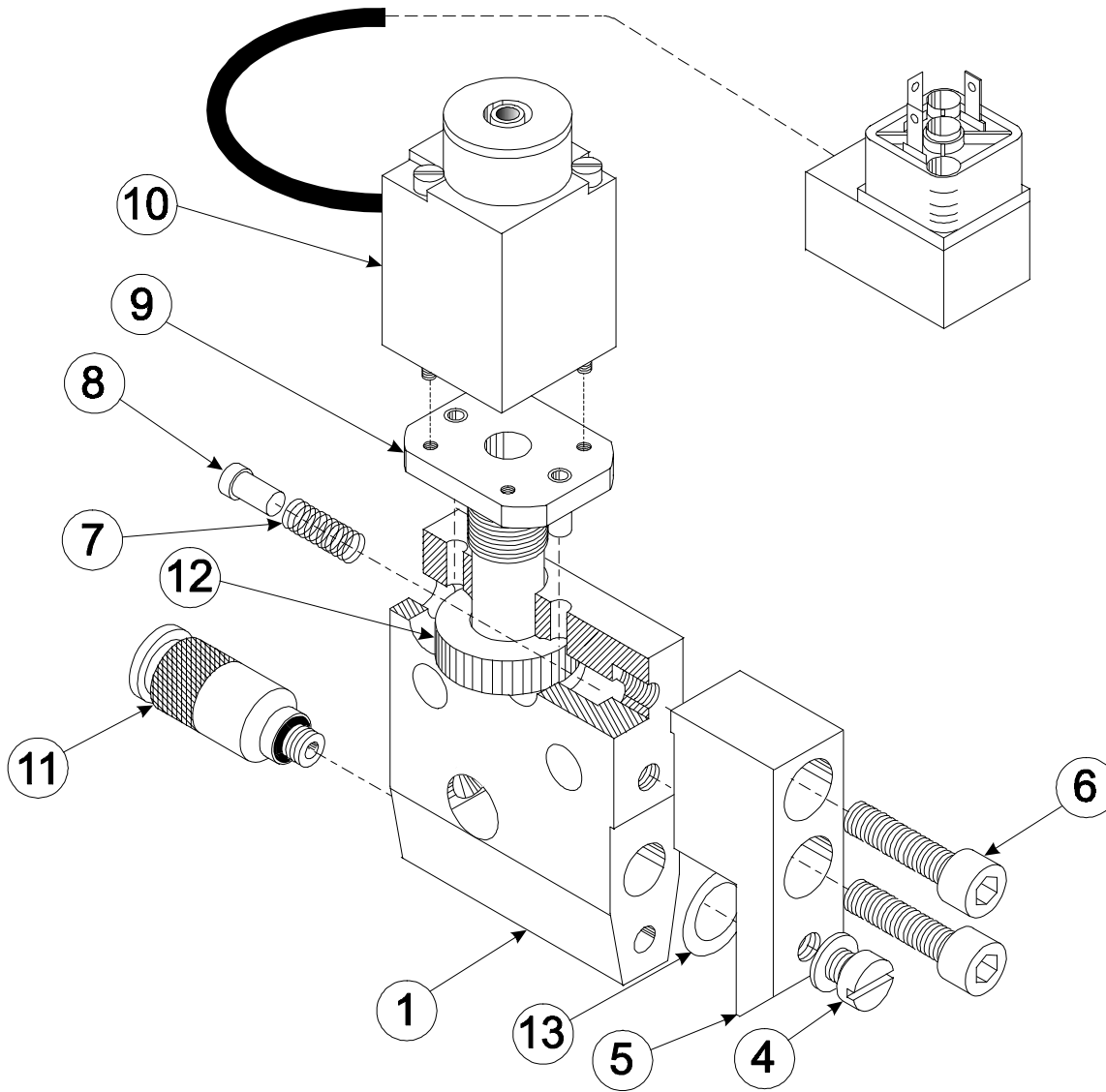
Part Number	Description
40-40-12	Applicator valve actuator

Recommended Parts:

35-51-xx	Series valve applicators
35-52-xx	Series valve applicators
95-06-38	Driver board, 24VDC (PS2)
78-00-86	Electronic cable kit, DIN connector
90-00-68	1/4" OD tube (ordered by the foot)

40-40-12 MINIATURE ACTUATOR

COMPONENT PARTS



ITEM	QTY	PART NO.	DESCRIPTION
1	1	90-40-61	Actuator Body
2			- Not Used -
3			- Not Used -
4	1	90-46-29	10-32 Plug w/90-46-28 Gasket
5	1	90-40-57	Valve End Cover w/Plug & O-Ring
6	2	90-05-62	10-32 X 3/4" Soc. Head Screw
7	1	90-40-67	Spring

ITEM	QTY	PART NO.	DESCRIPTION
8	1	90-40-76	Detent Plunger Assy.
9	1	90-40-73	Solenoid Mount Sub Assembly
10	1	90-40-50	Solenoid, w/DIN Connector
11	1	90-07-37	1/4" OD Tube x 10-32 Push Fitting
12	1	90-40-63	Adjustment Nut
13	1	90-07-02	"O" Ring

Distributed By:

DAI0800

VanSco Products - The Gluing Equipment Innovators
 2652 Lashbrook Avenue • South El Monte, CA 91733 • 626-448-7611 • Fax 626-448-0221
 Web site: www.vansco.com • E-mail: sales@vansco.com

