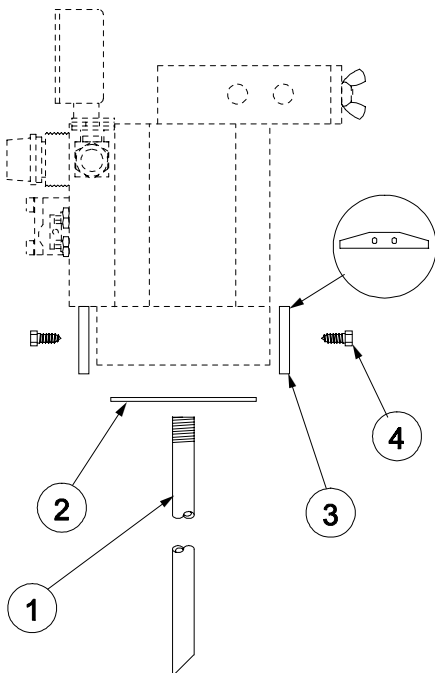


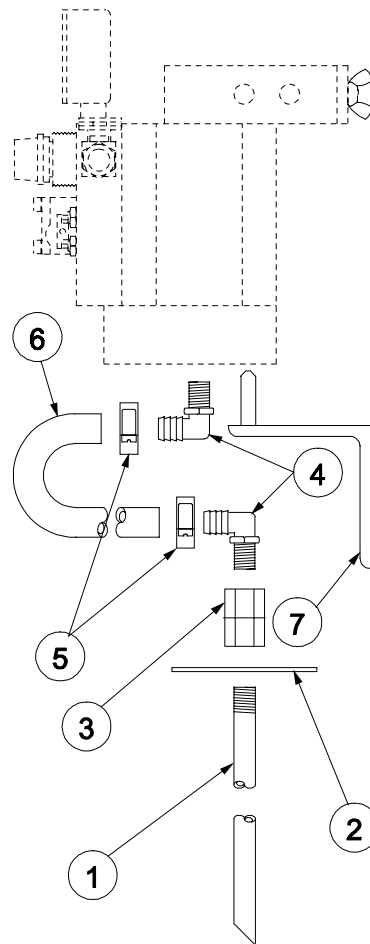
**78-00-56**  
**78-00-57**

**PUMP INLET KIT**  
**COMPONENT PARTS**



**78-00-56 DRUM AND PAIL KIT**

ITEM	PART NO.	QTY	DESCRIPTION
1	90-01-48	1	3/4" Pipe Sch 80 x 3' Suction Tube
2	91-20-53	1	Suction Tube Seal
3	92-79-37	2	Foot Mount
4	90-07-63	4	3/8-16 Self Tap Screw



**78-00-57 WALL MOUNT KIT**

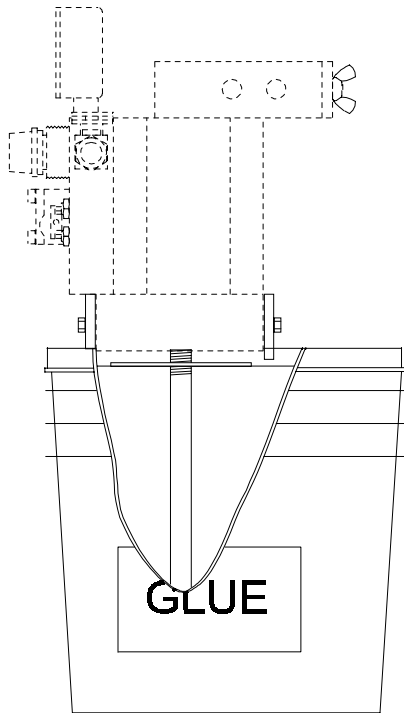
ITEM	PART NO.	QTY	DESCRIPTION
1	90-01-48	1	3/4" ID x 3' Suction Tube
2	91-20-53	1	Suction Tube Seal
3	90-01-60	1	3/4FP Nylon Coupler
4	90-01-47	2	3/4MP x 3/4" ID Hose Nylon EI
5	90-01-61	2	Hose Clamp
6	90-00-94	6'	3/4" ID Reinforced Polyurethane Hose
7	91-20-56	1	Wall Mount Bracket Assembly

Distributed by:

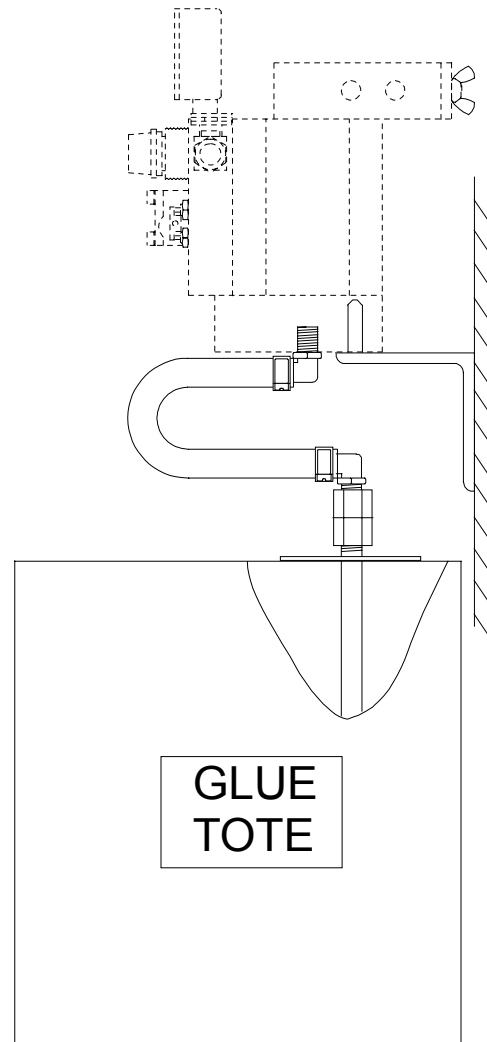
JAI798

**78-00-56**  
**78-00-57**

## **PUMP INLET KIT**



**78-00-56**  
**Pail, Drum or Tote Kit**



**78-00-57**  
**Wall Mount Kit**

**Wall Mount Inlet Kit for Drum or Tote** - Designed for wall or machine mount of VanSco's 20-02-01 and 20-02-06 pumps. The suction hose is extended from the pump to any pail, drum, or tote.

**Easy Installation** - No special tools required to install.

**Corrosion Resistant** - Polypropylene suction tube, polyurethane suction hose, and nylon pipe fittings.

**78-00-56**  
**78-00-57**

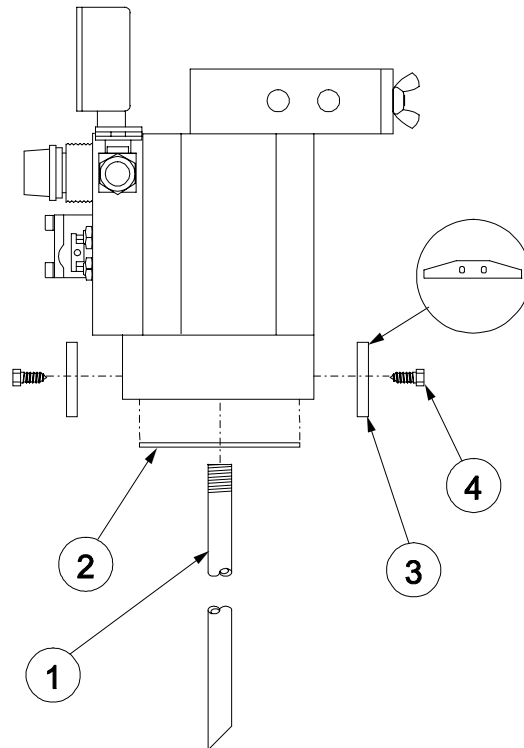
## **PUMP INLET KIT INSTALLATION**

### **Drum or Pail Inlet Kit** **78-00-56**

- 1) Mount the two support legs (3) by placing the four self tapping bolts (4), provided, through each hole and screw into the holes on the fluid inlet block at the base of the pump.
- 2) Measure the Suction Tube (1) to just reach the bottom of the fluid supply container from about 6" above the container lip. Cut the tube to the required length.

**Note:** The bottom end of the suction tube should be cut to a 45° angle to eliminate possible tube blockage.

- 3) Attach the suction tube (1) to the threaded fluid inlet on the bottom of the pump. Slide the suction tube seal (2) on to the suction tube. Place the pump over the bung of the adhesive drum or pail.



## Wall Mount Inlet Kit

78-00-57

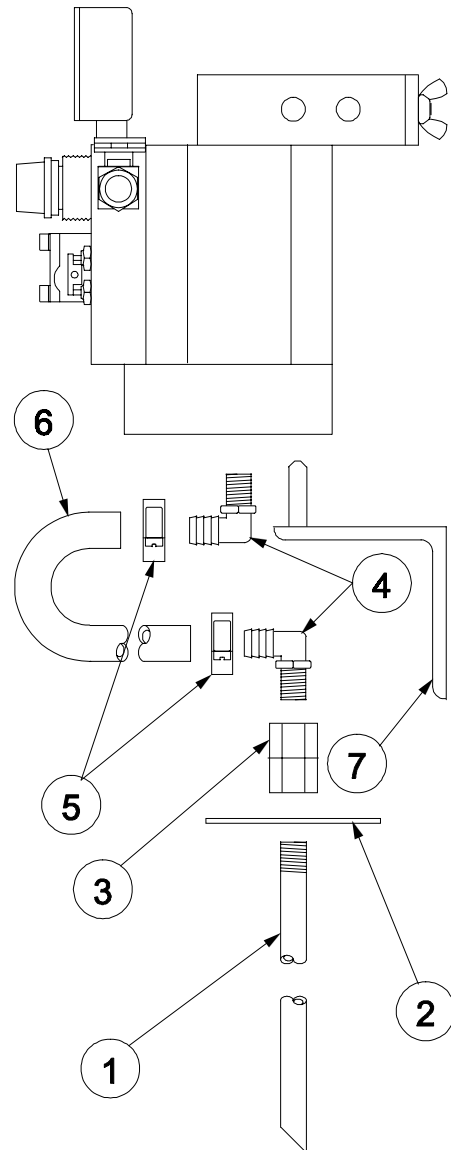
- 1) Position the wall mount bracket (7) in a convenient location within 6' of the fluid supply and 10' of the application.

**Note:** Check that all hoses reach their source from the Pump easily before mounting the bracket.

- 2) Attach one of the nylon threaded elbow's (4) to the threaded inlet fluid hole at the bottom of the pump.
- 3) Push the polyurethane hose (6) onto the barb end of the nylon elbow attached to the pump. Slide both hose clamps (5) over the hose and tighten one of the hose clamps on the elbow at the pump.
- 4) Push the barbed end of the second nylon elbow (4) into the hose (6) and tighten the other hose clamp (5) tight.
- 5) Attach the nylon coupler (3) to the nylon elbow.
- 6) Measure the Suction Tube (1) to just reach the bottom of the fluid supply container from about 6" above the container lip. Cut the tube to the required length.

**Note:** The bottom end of the suction tube should be cut to a 45° angle to eliminate possible tube blockage.

- 7) Attach the Suction Tube to the coupler (3).
- 8) Slide the Suction Tube Seal (2) on to the Suction Tube. Place the Suction Tube through the Fluid Supply Container bung to the bottom. Slide the Suction Tube Seal down to seal the bung area.
- 9) Attach the pump to the wall mount bracket by sliding two pins on the wall bracket (7) into the two holes at the bottom of the pump.



JAJ199