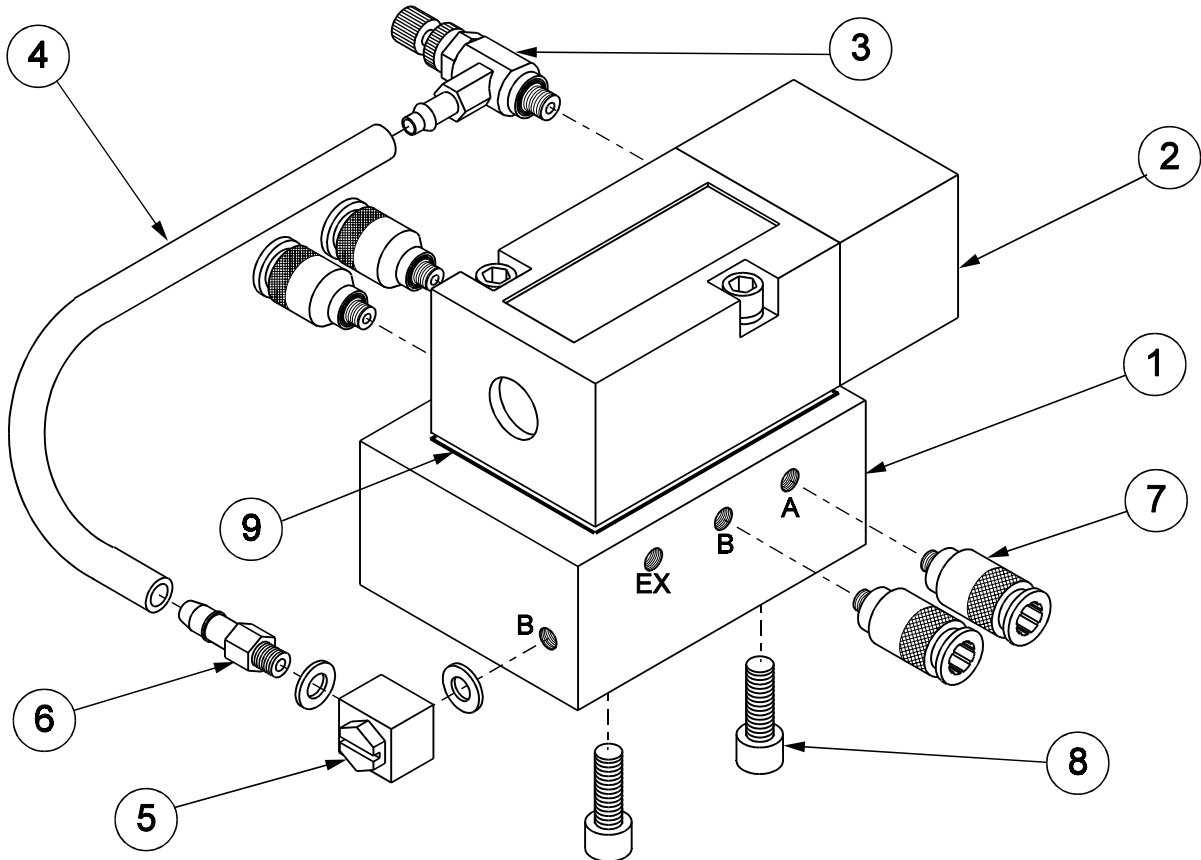


ANTI-FLOOD ASSEMBLY



ITEM	QTY	PART NO.	DESCRIPTION
1	1	91-46-22	Manifold Body
2	1	91-46-26	Air Pilot 4 Way Spool Valve
3	1	91-46-27	Timing Valve
4	4"	90-00-49	High Temp Hose
5	1	90-02-05	10-32M X 10-32F Swivel Elbow
6	1	90-02-05	10-32M X 10-32F Swivel Elbow

ITEM	QTY	PART NO.	DESCRIPTION
6	1	90-06-98	10-32 X 11/64 ID Hose Barb
7	4	90-07-37	1/4" OD Tube X 10-32 Push Fitting
8	2	90-06-59	10-32 X 1/2" Soc. Head Screw
9	1	91-41-05	Mounting Gasket

SERVICE KIT

91-04-04 INCLUDES: DETENT BODY, END SEALS, SPRING, SPRING RETAINER, AND GASKET