

20 Series

Fluid Pressure Regulator

Flexibility to reach great lengths.

vanSCO's 20 Series Fluid Pressure Regulator offers up to four adhesive outlets on its standard manifold. Stainless-steel filter elements are also available in 16, 30, 50, and 100 mesh to meet a wide array of your gluing industry equipment needs.

vanSCO's Fluid Pressure Regulator:

Central Pumping System Design

This regulator reduces inlet adhesive pressure to the desired T-handle setting at the point of application.

Fully Adjustable

T-handle control allows infinite pressure regulation between zero and 100 psi.

Dynamic Pressure Control

Inlet pressure fluctuation is completely eliminated, outlet pressure remains constant.

Designed for Durability

A flexible diaphragm eliminates packing or sliding seals that usually wear out, leak, adjust, or jam.

Zero Air Cavity

There is zero adhesive to air contact, eliminating the possibility of adhesive drying within the regulator.

Corrosion Resistance

All fluid section components on standard units are aluminum, stainless-steel, brass, nylon, and Teflon®.



How to order:

Part Number Description

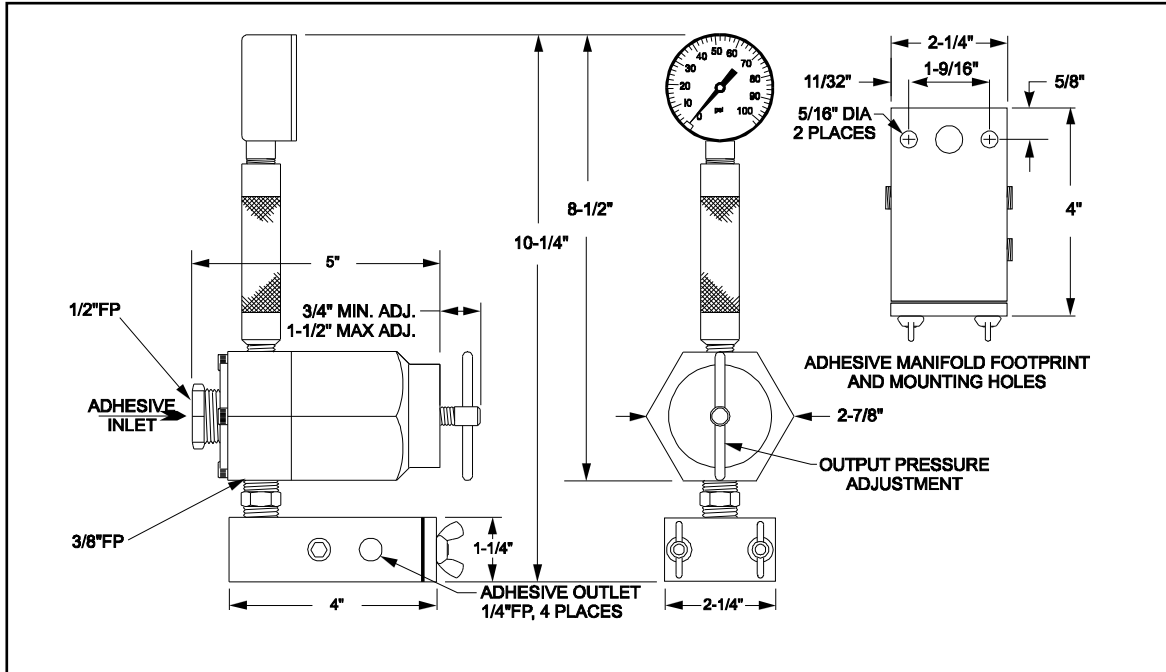
20-00-50	Fluid pressure regulator, AL
20-00-51	Fluid pressure regulator, SS
20-00-60	Fluid pressure regulator assembly, AL
20-00-70	Fluid pressure regulator assembly, SS

Assembly includes 20-00-58 manifold/strainer body and 3/8 MP hex nipple.

Recommended Parts:

90-07-26	1/4MP x 3/8" OD tube push fitting
90-00-95	3/8" OD Fluid hose
90-03-12	Strainer element, SS, 50 mesh
90-03-13	Strainer element, SS, 100 mesh
90-03-14	Strainer element, SS, 16 mesh
90-03-16	Strainer element, SS, 30 mesh

System Information



Technical Characteristics

20 Series Specifications

Inlet fluid pressure:	500 psi maximum
Outlet pressure:	Adjustable, 0-100 psi
Fluid flow rate:	Up to one gallon per minute maximum
Construction:	All wetted parts in brass assemblies consist of nylon, aluminum, stainless-steel, brass, and Teflon. All wetted parts in stainless-steel assemblies consist of stainless-steel, nylon, and Teflon.

For more information visit www.vansco.com or contact us direct.

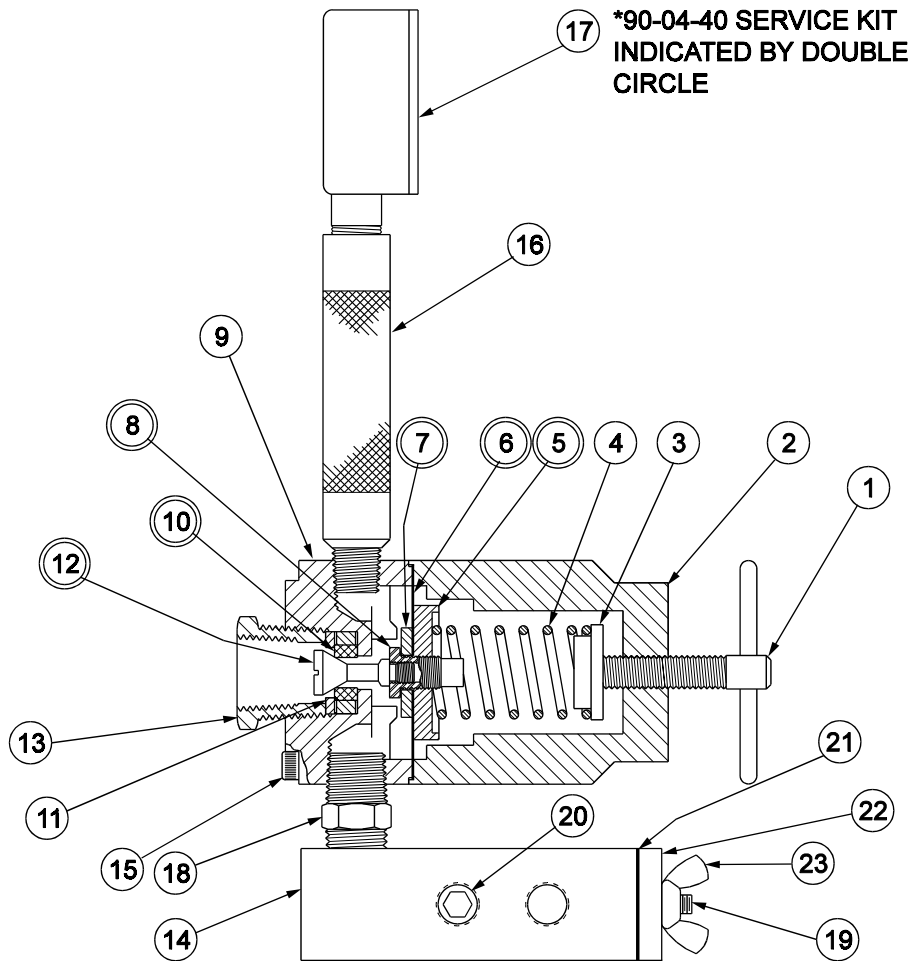


VanSco Products
 2652 Lashbrook Avenue, South El Monte, CA 91733
 Tel: 626.448.7611 / Fax: 626.448.0221
sales@vansco.com
www.vansco.com



20-00-50 & 20-00-51
20-00-60 & 20-00-70

COMPONENT PARTS
FLUID PRESSURE REGULATOR



ITEM	QTY	PART NO.	DESCRIPTION
1	1	90-20-50	"T" Handle
2	1	90-20-51	Spring Housing
3	1	90-20-52	Spring Button
4	1	90-20-53	Spring
*5	1	90-20-54	Diaphragm Backing Plate
*6	1	90-20-55	Diaphragm
*7	1	90-20-56	Washer
*8	1	90-20-57	Diaphragm Bolt
9A	1	90-20-58	Regulator Body, Aluminum
B	1	90-20-63	Regulator Body, Stainless Steel
*10	1	90-20-59	Teflon Seat
11	1	90-20-60	Seat Guide
*12	1	90-20-61	Valve
13A	1	90-02-14	3/4MP x 1/2FP Bushing, Brass
B	1	90-02-64	3/4MP x 1/2FP Bushing, Stainless Steel

ITEM	QTY	PART NO.	DESCRIPTION
14	1	91-20-06	Strainer Body Assembly
15	6	90-05-65	10-32 x 1-3/4" SOHD Cap Screw
16A	1	90-60-26	Gauge Riser, Aluminum
B	1	90-20-64	Gauge Riser, Stainless Steel
17	1	90-00-21	Air Pressure Gauge, 0-100 psi
18A	1	90-01-82	3/8 x 3/8MP Brass Hex Nipple
B	1	90-02-55	3/8 x 3/8MP Stainless Steel Hex Nipple
19	2	90-07-56	1/4-20 x 1" SOHD Set Screw
20	3	90-03-87	1/4" SOHD Pipe Plug, Stainless Steel
21	1	91-20-07	Gasket
22	1	91-20-08	End Cap
23	2	90-07-57	1/4-20 Wing Nut

*SERVICE KIT		
90-04-40	1	Includes Item: 5,6,7,8,10, and 12

Distributed By:

CBA1097