

# 30 & 32 Series

## Striping Heads

### Rugged precision.

**vanSCO**'s 30 and 32 Series Striping Heads are constructed entirely from aluminum with stainless steel fittings for maximum durability. The 30 and 32 Series utilize a molybdenum coating on their bearing surface for added wear resistance. The end result is rugged, precise performance to complete a range of gluing application needs.

### **vanSCO**'s 30 and 32 Series Striping Heads offer:

#### Added Features

Horizontal or vertical applicator heads, positive closure, and left or right side mounting with snap connector are available.

#### Special Options

Vein spacing, vein hole size, slot, grooves, stainless-steel, carbide coating, and other modifications are all options to best suit your needs.

#### Standardized Perfection

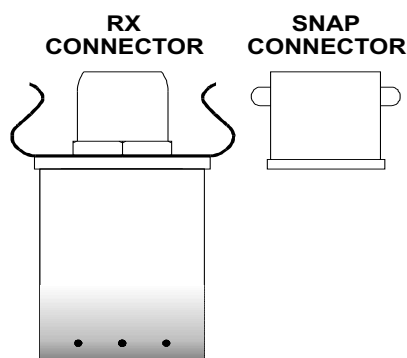
The standard vein size is 0.04 inches in diameter and standard spacing between veins is 1/4 inch.

#### 25 Sizes

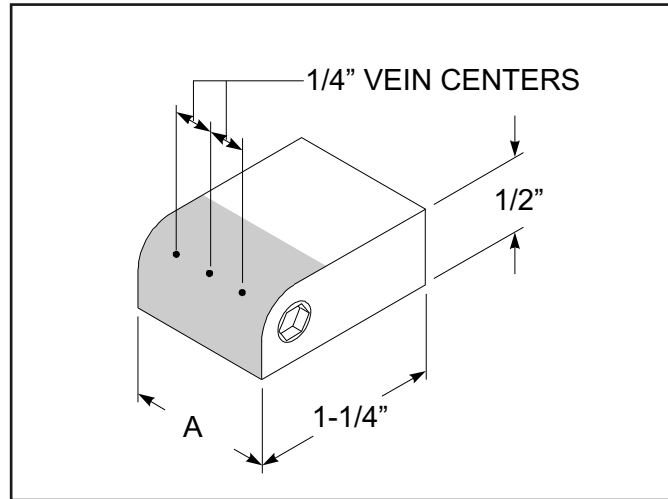
There are twenty-five sizes to choose from: single orifice to six-inch pattern width.

#### Various Connections

Two valve-to-head connectors are available - the rotary (RX) connector and the snap connector. The RX connector allows the applicator head to rotate for full head contact to the product. The snap connector is for fixed position use.



# Dimensions



# Ordering Information

<b>HOW TO ORDER</b>					
<b>PATTERN WIDTH</b>	<b>HORIZONTAL HEADS</b>		<b>VERTICAL HEADS</b>		<b>"A" DIMENSION</b>
	<b>RX ROTARY CONNECTION</b>	<b>SNAP CONNECTION</b>	<b>RX ROTARY CONNECTION</b>	<b>SNAP CONNECTION</b>	
Single Vein	30-00-11	30-00-12			$1^{11}/16$ "
1/4"	30-02-11	30-02-12	32-02-11	32-02-12	$1^{11}/16$ "
1/2"	30-04-11	30-04-12	32-04-11	32-04-12	$1^{15}/16$ "
3/4"	30-06-11	30-06-12	32-06-11	32-06-12	$1^{-3}/16$ "
1"	30-08-11	30-08-12	32-08-11	32-08-12	$1^{-7}/16$ "
1 1/4"	30-10-11	30-10-12	32-10-11	32-10-12	$1^{-11}/16$ "
1 1/2"	30-12-11	30-12-12	32-12-11	32-12-12	$1^{-15}/16$ "
1 3/4"	30-14-11	30-14-12	32-14-11	32-14-12	$2^{-3}/16$ "
2"	30-16-11	30-16-12	32-16-11	32-16-12	$2^{-7}/16$ "
2 1/4"	30-18-11	30-18-12	32-18-11	32-18-12	$2^{-11}/16$ "
2 1/2"	30-20-11	30-20-12	32-20-11	32-20-12	$2^{-15}/16$ "
2 3/4"	30-22-11	30-22-12	32-22-11	32-22-12	$3^{-3}/16$ "
3"	30-24-11	30-24-12	32-24-11	32-24-12	$3^{-7}/16$ "
3 1/4"	30-26-11	30-26-12	32-26-11	32-26-12	$3^{-11}/16$ "
3 1/2"	30-28-11	30-28-12	32-28-11	32-28-12	$3^{-15}/16$ "
3 3/4"	30-30-11	30-30-12	32-30-11	32-30-12	$4^{-3}/16$ "
4"	30-32-11	30-32-12	32-32-11	32-32-12	$4^{-7}/16$ "
4 1/4"	30-34-11	30-34-12	32-34-11	32-34-12	$4^{-11}/16$ "
4 1/2"	30-36-11	30-36-12	32-36-11	32-36-12	$4^{-15}/16$ "
4 3/4"	30-38-11	30-38-12	32-38-11	32-38-12	$5^{-3}/16$ "
5"	30-40-11	30-40-12	32-40-11	32-40-12	$5^{-7}/16$ "
5 1/4"	30-42-11	30-42-12	32-42-11	32-42-12	$5^{-11}/16$ "
5 1/2"	30-44-11	30-44-12	32-44-11	32-44-12	$5^{-15}/16$ "
5 3/4"	30-46-11	30-46-12	32-46-11	32-46-12	$6^{-3}/16$ "
6"	30-48-11	30-48-12	32-48-11	32-48-12	$6^{-7}/16$ "

Side mounted snap connector, vein spacing, vein hole size, slot, grooves, stainless-steel, carbide coating, and other modifications are available. Please consult factory.

For more information visit [www.vansco.com](http://www.vansco.com) or contact us direct.



**VanSco Products**  
 2652 Lashbrook Avenue, South El Monte, CA 91733  
 Tel: 626.448.7611 / Fax: 626.448.0221  
[sales@vansco.com](mailto:sales@vansco.com)  
[www.vansco.com](http://www.vansco.com)

