

82 Series

Adhesive Hand Spray Valve

Built for long-lasting operation.

vanSCO's 82 Series Hand Spray Valve uses a spiral air design that significantly reduces air consumption during adhesive atomization. The 82 Series valve also features a nylon coated nozzle with rounded external surfaces that help to reduce time spent on maintenance while maintaining the highest level of performance. The type of corners and edges that typically attract stray adhesive particles are removed. These truly beneficial components increase overall efficiency in system operation.

vanSCO's 82 Series Adhesive Hand Spray Valve features:

Sealed Tip

Eliminates the possibility of adhesive drying and plugging.

Unique Design

Unique seal between the fluid and air sections eliminates the problems associated with packing or sliding seals.

Quick Response

The adhesive has a quicker initial track than created with an extrusion or roller applicator.

Adjustable

Fully adjustable fluid volume and atomizing air controls. Both fluid and air controls may be locked at set position.

Resilient

Metal parts are plated brass or anodized aluminum. Needle and fluid nozzle are stainless steel for long life.

Flexible

The 82 Series Valve is able to operate in any position.



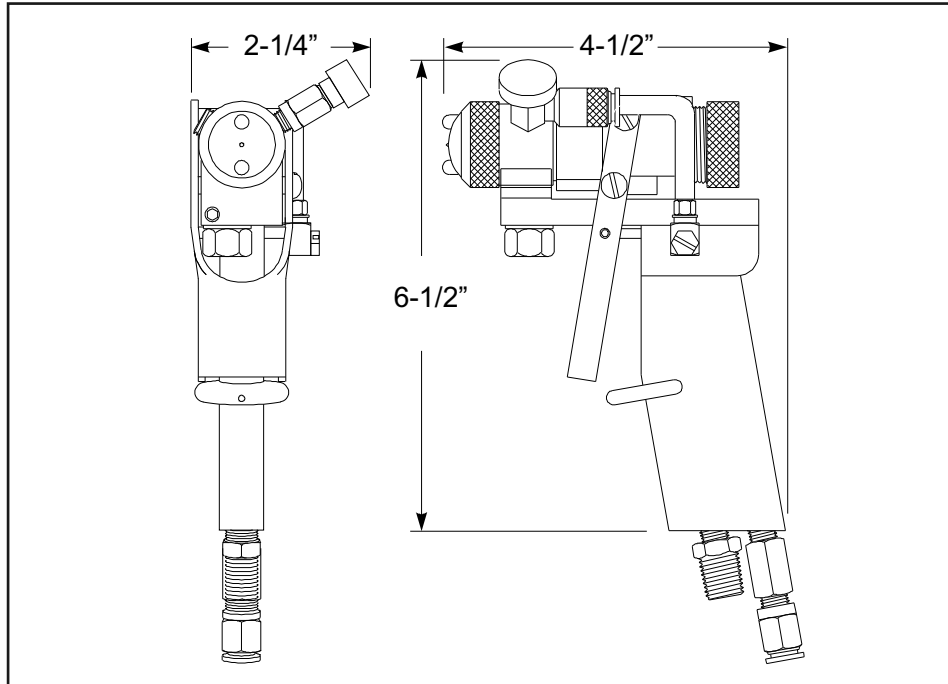
How to Order

Part No.	Description
82-00-54	Spray Valve, S/V, Brass
82-00-55	Spray Valve, H/V, Brass

Recommended Parts


78-00-07	Fluid/Air Hose Kit
----------	--------------------

Dimensions



Technical Characteristics

82 Series Specifications	
Atomization Air Pressure:	40-80 PSI
Fluid Pressure:	2-40 PSI
Fluid Viscosity Range:	1-3000 CPS
Product Distance to Pattern Width Ratio:	Approximately 1 : 1.5



For more information visit www.vansco.com or contact us direct.



VanSco Products
2652 Lashbrook Avenue, South El Monte, CA 91733
Tel: 626.448.7611 / Fax: 626.448.0221
sales@vansco.com
www.vansco.com

