

# 10 & 13 Series

## Adhesive Supply Pressure Tanks

Robust control, smooth operation.

**vanSCO's Adhesive Supply Pressure Tanks** regulate glue force for exact application. System pressure is easily modified to fulfill an extensive range of gluing applications. VanSCO® tanks, available in 1, 5, and 10 gallons, have been proven a reliable source for over 45 years.

### **vanSCO's Adhesive Supply Pressure Tanks:**

#### **Corrosion Resistant**

All components of fluid sections are stainless steel, nylon, and Teflon®.

#### **No Air Pockets**

The feed pipe is mounted in the tank shoulder to prevent air from entering the glue hose when the tank is refilled.

#### **Multiple Outlets**

The strainer manifold included with the tank assembly provides provisions for up to 4 fluid outlets.

#### **Durable Filter Elements**

Stainless-steel filter elements are available in 16, 30, 50, and 100 mesh.

#### **ASME Code**

Tanks are rated at 140 psi, but also provide a 75 psi safety relief valve setting to avoid accidental over-pressurization.



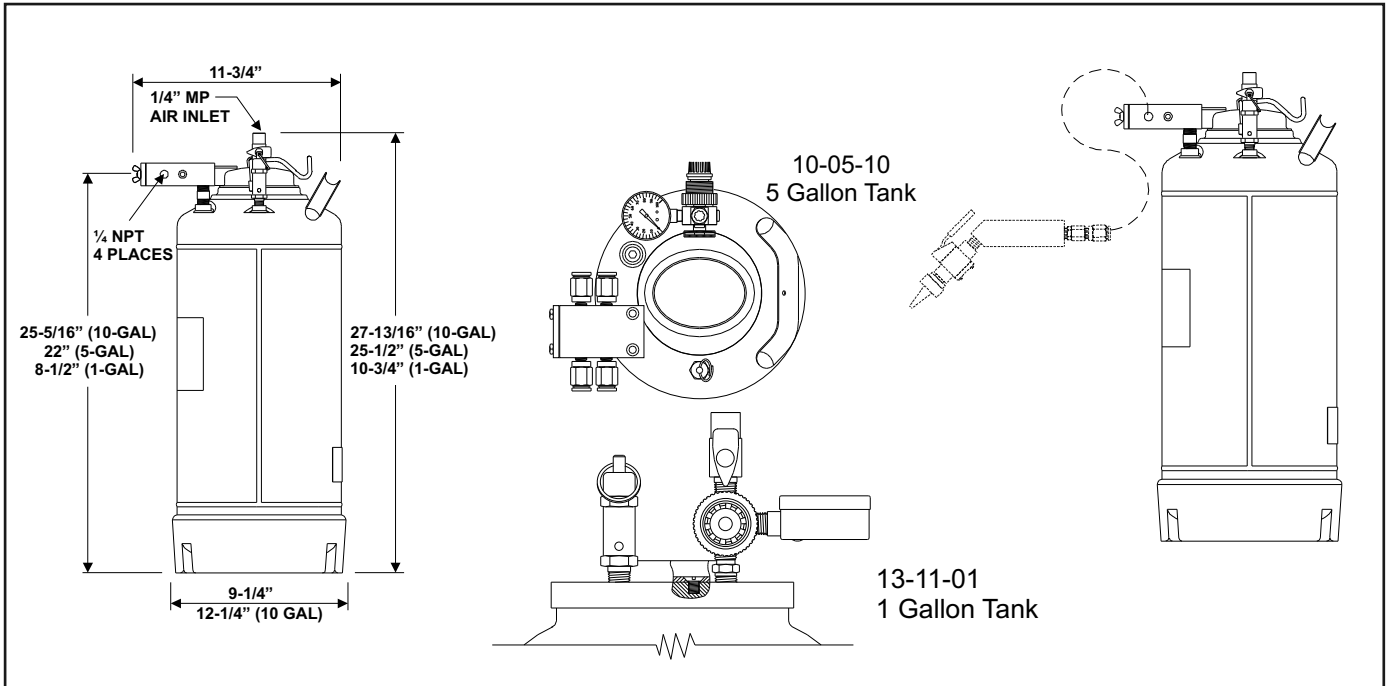
### **How to order:**

<b>Part Number</b>	<b>Description</b>
13-11-01	1-Gallon pressure tank
10-05-10	5-Gallon pressure tank
10-10-10	10-Gallon pressure tank

### **Recommended Items**

90-07-26	3/8" OD tube x 1/4 MP push fitting
90-07-67	3/8" OD tube x 1/4 MP Elbow push fitting
90-00-95	3/8" OD tube (per foot)
90-03-12	Strainer element, SS, 50-mesh
90-03-13	Strainer element, SS, 100-mesh
90-03-14	Strainer element, SS, 16-mesh
90-03-16	Strainer element, SS, 30-mesh

# System Layout



# Technical Characteristics

<b>Pressure Tank Specifications</b>	
<b>Inlet air pressure</b>	125 psi maximum
<b>Operating tank pressure</b>	2-74 psi
<b>ASME Code</b>	Manufactured in accordance with the requirements of the ASME Unfired Pressure Vessel Code
<b>Construction</b>	Tank body, lid, plugs, strainer element, and feed pipe are 304 stainless-steel. Tank lid o-ring is Nitrile (Buna-N). Bottom of tank body is fitted with a molded hard rubber foot ring. Strainer body is nylon with Teflon end plate gasket.

For more information visit [www.vansco.com](http://www.vansco.com) or contact us direct.



**VanSco Products**  
 2652 Lashbrook Avenue, South El Monte, CA 91733  
 Tel: 626.448.7611 / Fax: 626.448.0221  
[sales@vansco.com](mailto:sales@vansco.com)  
[www.vansco.com](http://www.vansco.com)

