

# 20 Series

## Model 20-02-06 Adhesive Supply Servo Pump

### Simplify your pumping needs.

**vanSCO**'s Model 20-02-06 Adhesive Supply Servo Pump allows excessive adhesive pressure to self-release back into the pump on shutdown for dynamic pressure relief. This design also offers a push fitting conveniently located at the air inlet for an easy installation. An advanced design improves your system's overall efficiency.

### **vanSCO**'s 20-02-06 Adhesive Supply Servo Pump:

#### **Speed Compensating Pressure Control**

Adhesive pressure will track both up and down with a change in line speed.

#### **Constant Pressure Supply**

An all-pneumatic design delivers a continuous and consistent supply of pressure for your adhesive directly from a pail, drum, or tote.

#### **Designed for Durability**

A flexible, relaxed diaphragm seal located between fluid and air sections, eliminates packing or sliding seals that would otherwise wear, leak, adjust, or jam.

#### **Pumps On Demand**

Will not run continuously unless material is being dispensed.

#### **Filter Elements**

Stainless-steel filter elements available in 16, 30, 50, and 100 mesh.

#### **Corrosion Resistant**

All components of fluid section are stainless-steel, nylon, Teflon®, or UHMW polyethylene.

#### **Fully Adjustable**

Regulated control allows pressure variation between zero and 60 psi.



#### **How to order:**

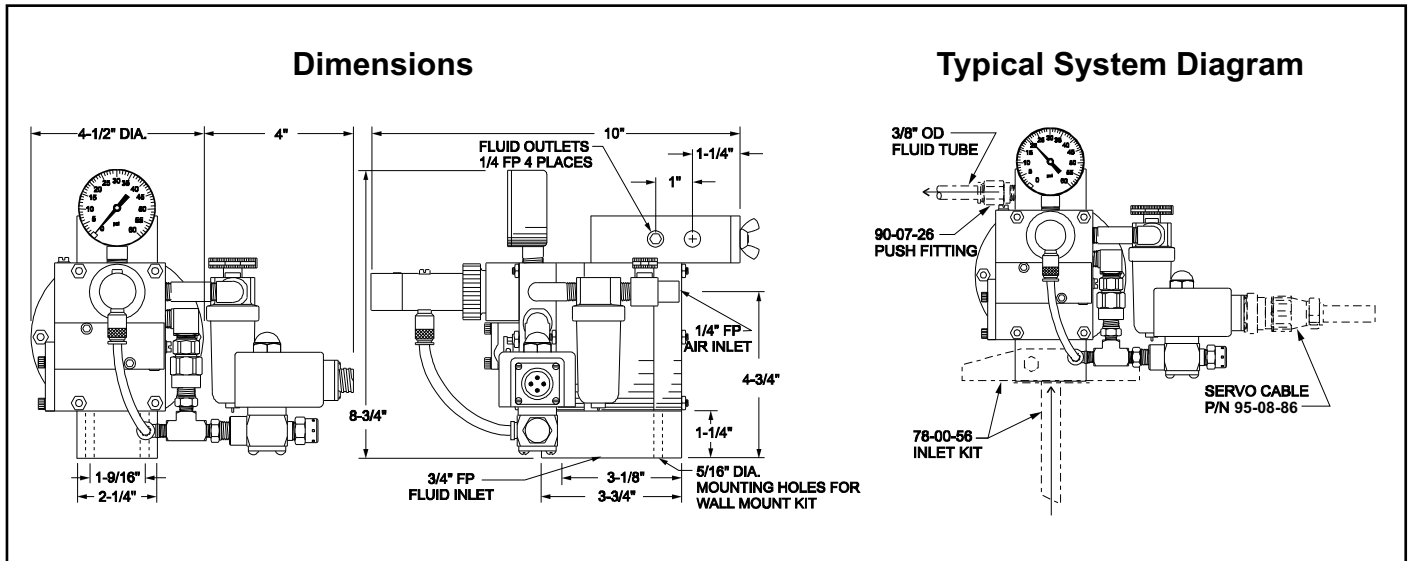
<b>Part Number</b>	<b>Description</b>
20-02-06	Adhesive Servo Pump
95-08-86	Servo cable, PS2, 20 ft
95-08-87	Servo cable, PSMT, 15 ft

#### **Recommended Parts:**

78-00-56	Inlet kit, pail or drum mount
78-00-57	Inlet kit, wall mount
90-07-26	3/8" OD tube outlet push fitting
90-00-95	3/8" OD fluid outlet tube
90-03-12	Strainer element, SS, 50 mesh
90-03-13	Strainer element, SS, 100 mesh
90-03-14	Strainer element, SS, 16 mesh
90-03-16	Strainer element, SS, 30 mesh

(The pump does not ship with a strainer element)

# System Layout



# Technical Characteristics

<b>Adhesive Supply Servo Pump Specifications</b>	
<b>Inlet air pressure:</b>	70-120 psi filtered, regulated, and lubricated compressed air
<b>Maximum continuous pumping rate:</b>	25 gallons per hour with 1,000 cps viscosity adhesive
<b>Maximum output pressure:</b>	60 psi
<b>Cycles per gallon:</b>	60
<b>Air consumption:</b>	3.5 cubic feet per gallon under average conditions
<b>Input signal voltage:</b>	0-20 VDC (0.3 amps maximum)
<b>Construction:</b>	All wetted parts are stainless-steel, nylon, Teflon, or UHMW polyethylene
<b>Maximum adhesive viscosity:</b>	6,000 cps with 3 ft x 3/4" diameter suction tube, drum or pail mount kit 2,000 cps with 9 ft x 3/4" diameter suction tube, wall mount kit

For more information visit [www.vansco.com](http://www.vansco.com) or contact us direct.



**VanSco Products**  
 2652 Lashbrook Avenue, South El Monte, CA 91733  
 Tel: 626.448.7611 / Fax: 626.448.0221  
[sales@vansco.com](mailto:sales@vansco.com)  
[www.vansco.com](http://www.vansco.com)

